



Valve Accessories & Controls.

BLX Positioners

Dependable Products • Responsive Service



BLX V100 Series

Years of experience have helped

Introducing the BLX V100P and V100E positioners.

This new line of pneumatic and electropneumatic positioners incorporates over sixty years of design, manufacturing, and marketing experience, creating one of the most durable, reliable instruments on the market.



Options

Special cams, range springs, various NEMA ratings, and feedback capability are components of the BLX positioner package.



Flexibility

One housing for pneumatic or electropneumatic

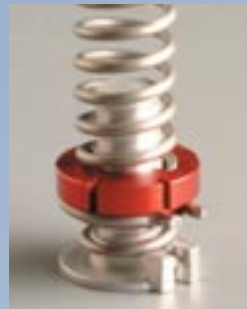
The I/P can be installed or removed at any time

Multiple mounting capability

Standard indicator allows for air to open or air to close operation

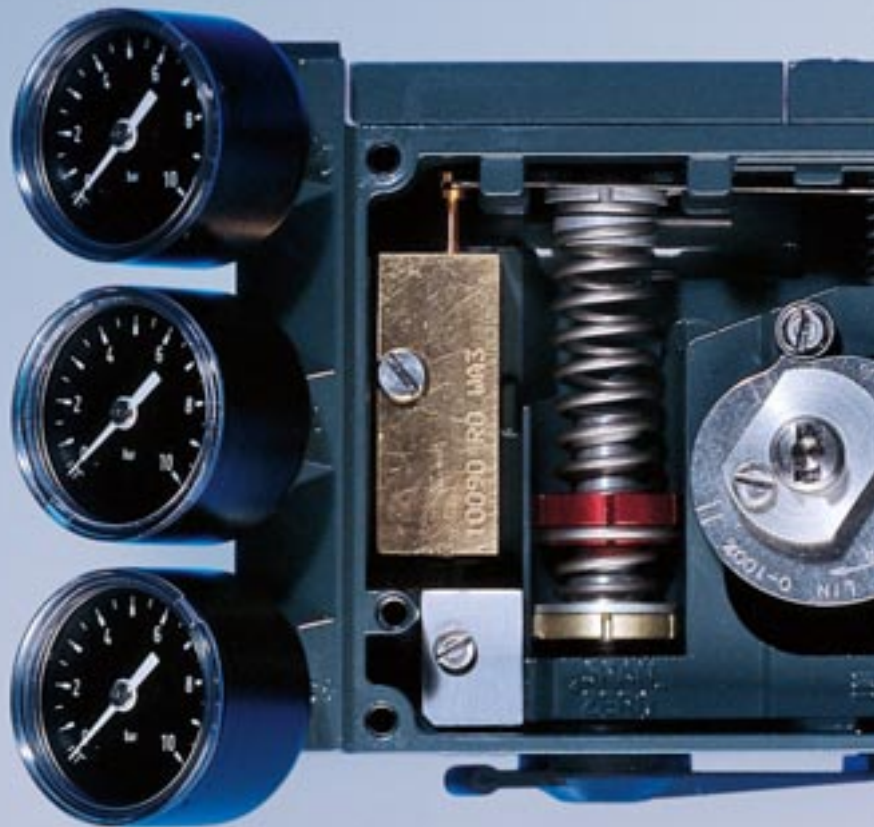
Flat or raised indicator available

F05 standard housing with interchangeable drives.



Simple Calibration

With the non-interactive span and zero adjustment, and the external zero adjustment, calibration is simple and time saving.



Maintenance friendly

The BLX pilot valve assembly can be cleaned by removing one screw and can only be installed one way—the correct way.

The gauge block is standard

I/P test point facilitates positioner loop testing

develop this complete positioner.

Dependable design supported with excellent service.

Durable

Cast aluminum,
Polyester coated
housing

Stainless steel
retained fasteners

Double locked
stainless cam

Quality metal
internal parts



Unique electrical
compartment, fitted
with an o-ring, is
pressure sealed by
the cover

Technical Specifications

	V100P	V100E
Input range:	3-15 PSI (20-100kPa)	4-20 mA ($R_i < 250\Omega$)
Supply pressure:	<145 PSI (<1MPa)	21.8-145 PSI (0.15-1MPa)
Linearity error:	<0.7% f.s.	<1.0% f.s.
Hysteresis:	<0.4% f.s.	<0.6% f.s.
Repeatability:	<0.3% f.s.	<0.5% f.s.

Pressure Gain:

@87 PSI (600kPa)	$750 P_{out} / P_{in}$
acc. to ISA S75.13	$49\% P_{out} / \%P_{in}$

Air Capacity:

	SCFM	(SLPM)
@29 PSI (200kPa)	9.5	(270)
@87 PSI (600kPa)	28.3	(800)
@145 PSI (1MPa)	47.1	(1350)

Bleed Rate:

	SCFM	(SLPM)	SCFM	(SLPM)
@29 PSI (200kPa)	0.18	(5)	0.2	(5.7)
@87 PSI (600kPa)	0.53	(15)	0.6	(17.0)
@145 PSI (1MPa)	0.88	(25)	1.0	(28.3)

Temp range: -40° to 185° Fahrenheit
-40° to +85° Celsius

Air connectors: 1/4" NPT (optional G threads)
Gauges: 1/8" NPT
Cable entry: 1/2" NPT (optional M20x1.5 or PG 13.5)

Ingress & corrosion protection: NEMA 4X and IP66
Coating: Powder Polyester

Weight: 3.5 lbs (1.6kg) 3.8 lbs (1.7kg)
Weight with gauges: 4.0 lbs (1.8kg) 4.2 lbs (1.9kg)

Options:

Feedback Spring for 6-30PSI (40-200kPa) input signal.
Gauges
Various cams

Pilot Valves:

Type W1 for better stability and lower bleed. Pressure gain @ 87 PSI = 300
Bleeds 33% less but has 10% less air capacity than standard valve W3

Type W2 for faster response and better accuracy. Pressure gain @ 87 PSI > 1000
Has same air capacity but bleeds 33% more than standard valve W3.

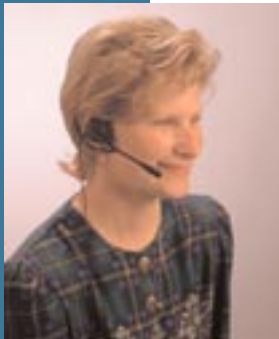
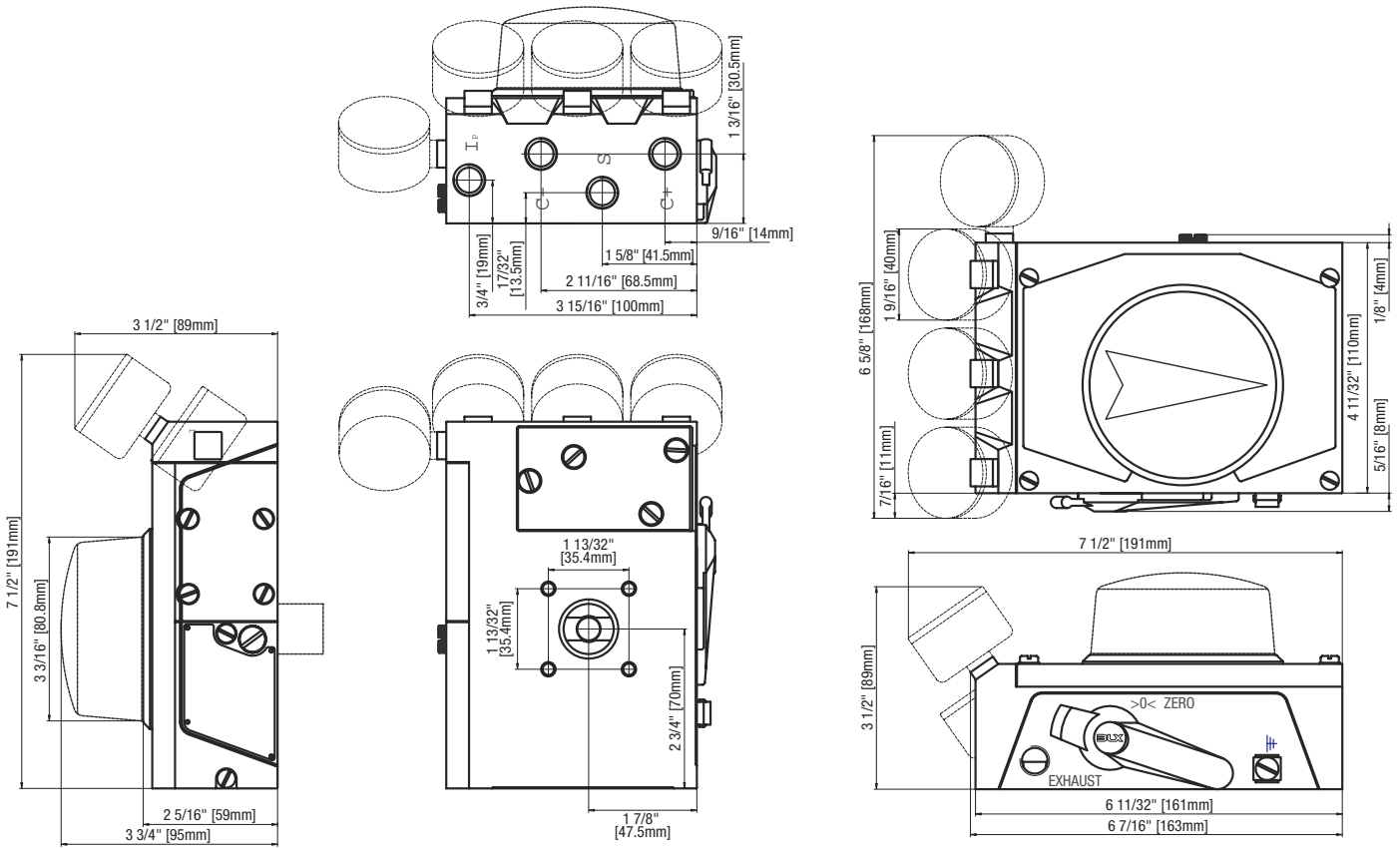
Above specifications are based on Type W3 as the standard pilot valve.

Ordering Codes

Positioner	Type	Drive	Front Cover	Indicator	Cam
V100	P-Pneumatic E-Electropneumatic EX-Explosion Proof FF-Fail Freeze	D1-Namur D2- 1/2" square (others available)	90-90 degree 60-60 degree 45-45 degree 30-30 degree	A-arrow B-raised	C1-Standard-90° C2-45° & 90° C3-60° & 30° C4-120° & 60°

Example: V100E-D1-90-B-C1

Electropneumatic positioner, with namur drive, 90° cover, raised indicator, and standard 90° cam.



Marketed by VAC (Valve Accessories & Controls, LLC.), the BLX positioner line will be supported by a knowledgeable and professional staff. Customer service is a key component to the BLX/VAC package. Local inventories and technical assistance are just a phone call away.

The BLX product package will include a diverse mix of positioners, rack and pinion actuators, and feedback switches for positioner mounting and/or stand alone use, as well as an I/P transducer. Quality design and manufacturing will be



coupled with very competitive pricing and excellent service,

providing all process industries a "complete package".

Distributed by:



VALVE ACCESSORIES & CONTROLS, LLC
 12585 Old Highway 280 East • Suite 101
 Chelsea, AL 35043
 TEL: 205-678-0507 • FAX: 205-678-0510
 vacaccessories.com