

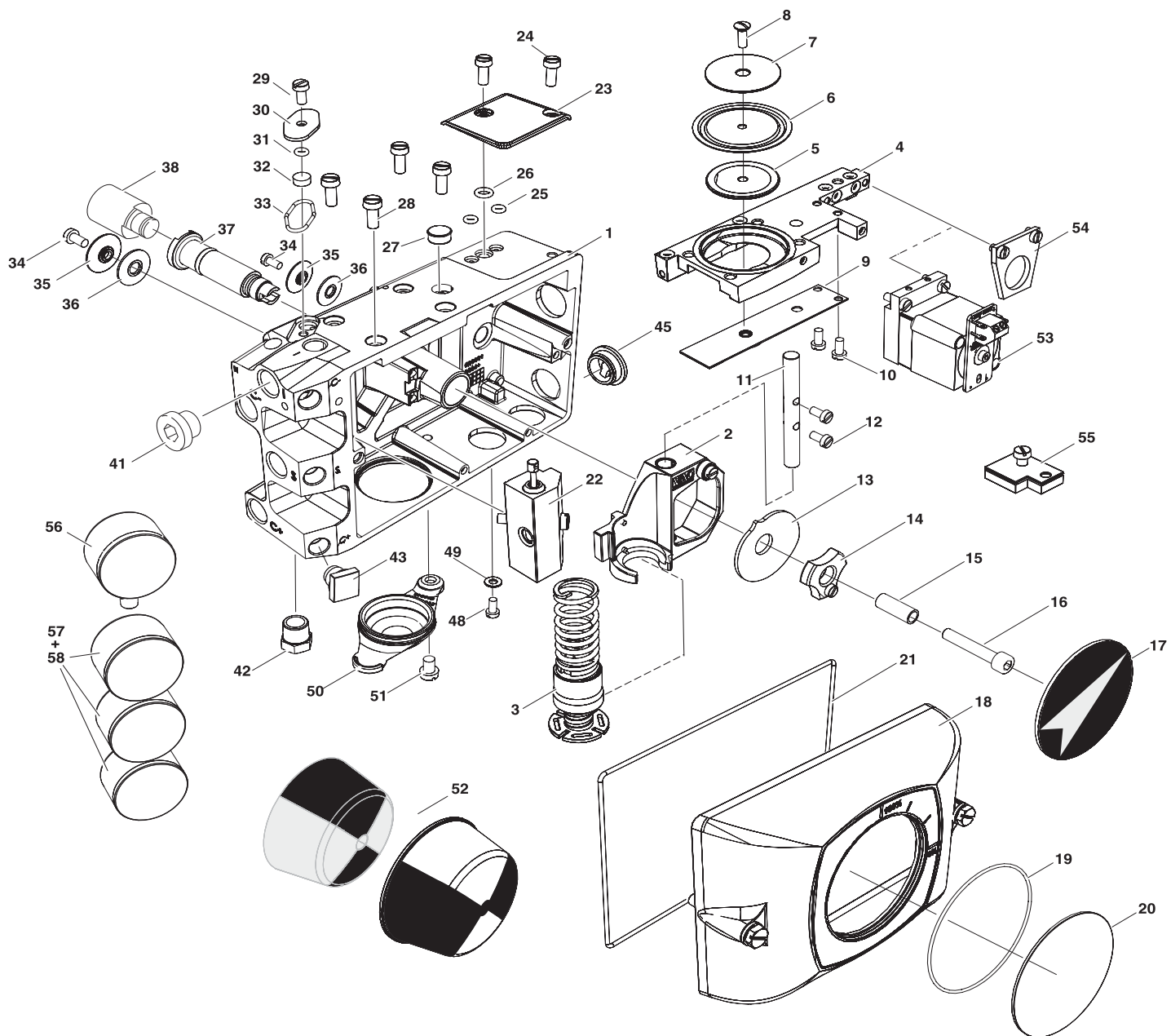


# V200 POSITIONER

[www.vacaccessories.com](http://www.vacaccessories.com)

## SPARE PARTS

Exploded drawing V200 P / E





# V200 POSITIONER

www.vacaccessories.com

## Spare parts list V200 P / E

Item	Description	Material	Part no	Qty	Item	Description	Material	Part no	Qty
1	Housing	Aluminum, painted	n/a	1	34	Screw ISO 1207 M4x8	Stainless Steel	1207040808	2
	- Bearing 15x8		171508	2	35	Relief Valve Washer	Aluminum, Anodized	90034	2
2	Feedback Arm Assembled		91002	1	36	Rubber Washer	Silicone Rubber	90035	2
	- Feedback Arm	Aluminum, painted	90006	1	37	Drive Shaft	Stainless Steel	90029	1
	- Pin ISO 8752 2,5x8	Stainless Steel	87412508	1		- O-ring Ø12x2 NBR70	Nitrile Rubber	OR12x2NBR	1
	- Ball Bearing	Stainless Steel	100404	1		- O-ring Ø15x2 NBR70	Nitrile Rubber	OR15x2NBR	1
	- Screw ISO1207 M4x12	Stainless Steel	1207040812	1	38	Spindle*	Stainless Steel	90092	1
	- Bearing 8x8		100808	2		- Circlip spindle	Stainless Steel	90093	1
3	Feedback Spring Assembled		91018	1	41	Plug 1/4" ****	Plated Brass	261014	1
	- Spring Nut	Aluminum, Anodized	90012	1	42	Bug Screen / Silencer	Plated Brass	400148	1
	- Wrist Pin	Stainless Steel	90013	1	43	Plug 1/8"	Plastic <PA>	90103	4
	- Range Screw	Aluminum, Anodized	90014	1	45	Plug NPT1/2" / M20	Plastic <PA>	92017	4
	- Range Nut	Aluminum, Anodized	90015	1	48	Screw ISO 1207 M4x8	Stainless Steel	1207040808	1
	- Span Wheel	Stainless Steel	90016	1	49	Washer ISO 7089-4	Stainless Steel	70894	1
	- Zero Wheel	Plastic <POM>	037040259905	1	50	Zero Plug	Nitrile Rubber	90037	1
	- Feedback Spring	Stainless Steel	90018	1	51	Screw ISO 1207 M6x8	Stainless Steel	1207060808	1
	- Screw ISO 4017 M4x60	Stainless steel	4017046060	1	52	Dome Indicator B/Y Kit		93008	1
	- O-ring Ø15x1 NBR70	Nitrile Rubber	OR15x1NBR	1		- Dome Indicator B/Y	Plastic <PC+ABS>	92062	1
	- Retaining Ring AV12	Steel	91050041	1		- Circlip DIN 47112	Stainless Steel	47112	1
	- Washer DIN 137B KBB M4	Galvanized Steel	13704	1		- Dome Indicator Cover	Plastic <PC>	90044	1
	- Washer DIN 7089-4	Stainless Steel	70894	1		Dome Indicator R/G Kit		93013	1
	- Hex Nut ISO 4032 M4	Stainless Steel	403204	1		- Dome Indicator R/G	Plastic <PC+ABS>	92063	1
4	Membrane Plate	Aluminum, Passivated	90104	1		- Circlip DIN 47112	Stainless Steel	47112	1
	- O-ring Ø3x2 NBR70	Nitrile Rubber	OR3x1NBR	6		- Dome Indicator Cover	Plastic <PC>	90044	1
5	Membrane piston	Aluminum, Anodized	90010	1	53	IP converter		91006	1
6	Membrane	Nitrile Rubber	90022	1		- Screw ISO 1207 M4x35-10	Stainless Steel	1207043510	2
7	Membrane Washer	Stainless Steel	90009	1		- Spacer	Aluminum, Anodized	90125	2
8	Screw ISO 2010 M4x12	Stainless Steel	2010041212	1	54	V200 E to P Conversion Plate		91000	1
9	Balance Arm	Stainless Steel	91003	1		- Sealing plate	Aluminum, Anodized	90023	1
10	Screw ISO 1207 M4x8	Stainless Steel	1207040808	2		- Screw ISO 1207 M4x8-4	Stainless Steel	1207040804	2
11	Guide Pin	Stainless Steel	90024	1	55	Stability Kit**		93027	1
12	Screw ISO 1207 M4x14	Stainless Steel	1207041414	2		- Stability Plate Upper	Aluminum, Anodized	90039	1
13	Cam*	Stainless Steel	92031	1		- Stability Plate Lower	Aluminum, Anodized	90040	1
14	Cam Nut	Aluminum, Anodized	90030	1		- Screw ISO 1207 M5x12	Stainless Steel	1207051212	1
	- Screw ISO 1207 M4x8	Stainless Steel	1207040808	1	56***	Gauge 0-30psi Bottom mount	Aluminum	400502	1
15	Indicator Screw Spacer	Aluminum, Anodized	90053	1	57***	Gauge 0-30psi Back mount	Aluminum	400500	1
16	Screw ISO 4762 M6x35	Stainless Steel	4762063535	1	58***	Gauge 0-160psi Back mount	Aluminum	400501	3
17	Indicator Arrow	Plastic <PC+ABS>	90049A	1					
	Indicator Flag	Plastic <PC+ABS>	90049F	1					
	- Circlip DIN 47112	Stainless Steel	47112	1					
18	Front Cover Assembled		91001	1					
	- Front Cover	Aluminum, painted	90004	1					
	- Screw ISO 4017 M6x40-10	Stainless Steel	4017064010	2					
	- Washer ISO 7089-6	Stainless Steel	708906	2					
	- O-ring Ø5,1x1,6 NBR70	Nitrile Rubber	OR5,1x1,6NBR	2					
	- Front label 0-90-0 (std)*	Plastic <PC>	92018	1					
19	O-ring Ø70x1,5 NBR70	Nitrile Rubber	OR70x1,5NBR	1					
20	Indicator cover	Plastic <PC>	90038	1					
21	O-ring Ø160x2 NBR70	Nitrile Rubber	OR160x2NBR	1					
22	Pilot Valve Std		91010	1					
	Pilot Valve HG		91008	1					
	Pilot Valve SHG		91009	1					
	- O-ring Ø8x1,5 NBR70	Nitrile Rubber	OR8x1,5NBR	5					
	- Screw ISO 1207 M5x30	Stainless Steel	1207053010	1					
23	Cover plate	Aluminum, painted	90080	1					
24	Screw ISO 1207 M5x12	Stainless Steel	1207051412	1					
	- Mylar Washer	Plastic <PA>	90048	1					
25	O-ring Ø3x2 NBR70	Nitrile Rubber	OR3x2NBR	2					
26	O-ring Ø5x2 NBR70	Nitrile Rubber	OR5x2NBR	1					
27	Rubber plug	Nitrile Rubber	90036	1					
28	Screw ISO 1207 M5x14	Stainless Steel	1207051414	5					
	- Mylar Washer	Plastic <PA>	90048	5					
29	Screw ISO 1207 M4x8-4	Stainless Steel	1207040804	1					
30	Filter Cover	Stainless Steel	90032	1					
31	O-ring Ø3,1x1,6 NBR70	Nitrile Rubber	OR3,1x1,6NBR	1					
32	Main Filter	Plastic <PP>	90033	1					
33	O-ring Ø18,1x1,6 NBR70	Nitrile Rubber	OR18,1x1,6NBR	1					

\*Cam with other ranges, front labels with other scale readings and spindles suitable for the most frequently used actuator types, are available.

\*\* Certain valve/actuator packages may need additional field stability, which can be accomplished with the stability kit (100% to 300% depending on orientation of the kit).

\*\*\*Gauges available as an option. Also available in stainless steel.

..... 0-30 psi for I port  
..... 0-160 psi for C+, C- and S port

\*\*\*\* Plug 1/4 needed to seal of I port when used as E (fitted IP-converter)